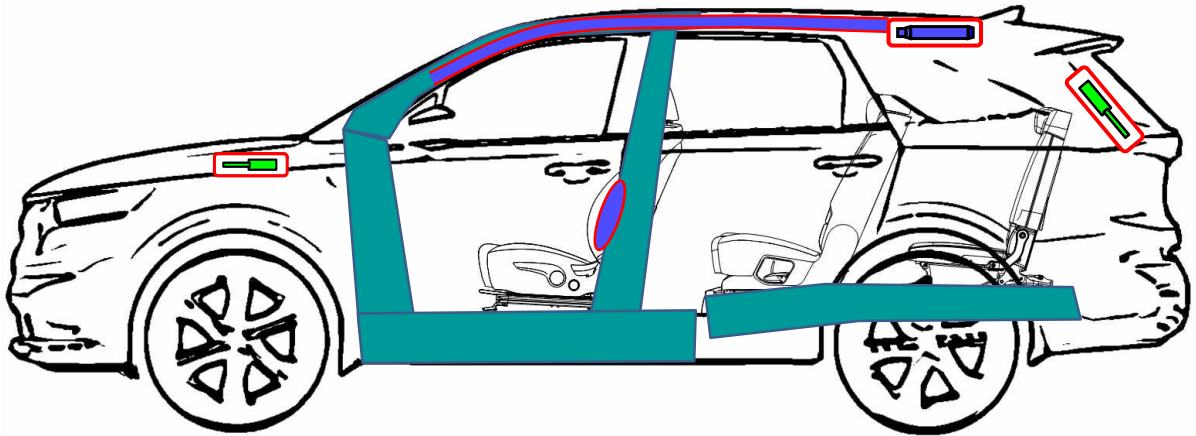
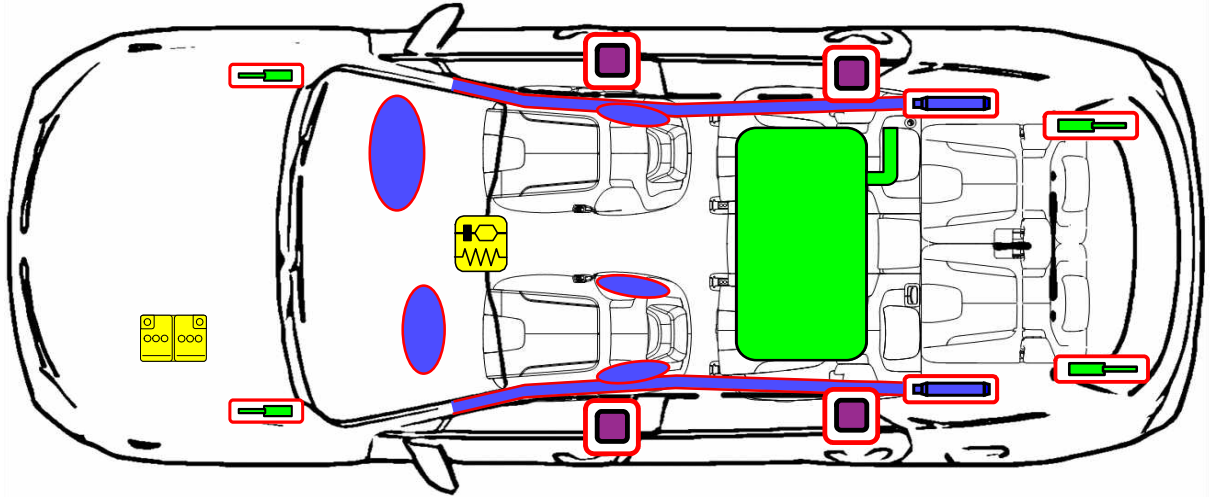




Kia Sorento

SUV, 4 doors, 5 & 7 seats
From August 2020



Reserved for holes (paper version)

	Airbag		Stored gas inflator		Seat belt pretensioner		SRS control unit		Pedestrian protection active system
	Automatic rollover protection system		Gas strut/ Preloaded spring		High strength zone		Zone requiring special attention		
	Battery low voltage		Ultra capacitor, low voltage		Fuel tank		Gas tank		Safety valve
	High voltage battery pack		High voltage power cable/ component		High voltage disconnect		Fuse box disabling high voltage system		Ultra capacitor, high voltage

ID No.	Version No.	Version date	Page
KNA-MQ4-RSI-01-202008	01	08/2020	1 of 4

1. Identification / recognition



2. Immobilisation / stabilisation / lifting

■ Immobilization

1 Parking pedal



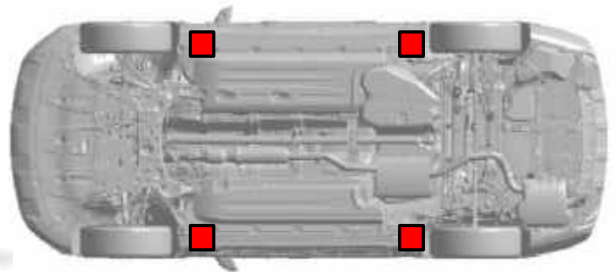
1. Move the shift lever to the P position.
2. Press the parking pedal to set the parking brake

2 EPB



1. Push the P button.
2. Chock the wheels and pull the switch to set the parking brake.

■ Lifting positions at car underbody: ■



	ID No.	Version No.	Version date	Page
	KNA-MQ4-RSI-01-202008	01	08/2020	2 of 4

3. Disable direct hazards / safety regulations

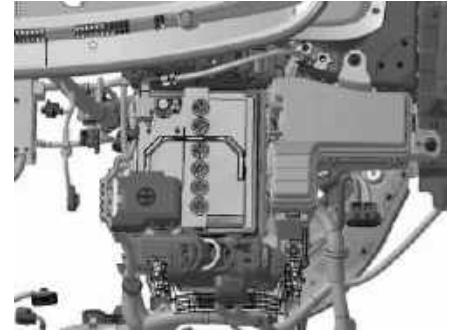
■ Access to the battery



1. Pull the release lever to unlatch the hood. The hood should pop open slightly.

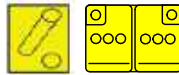


2. Raise the hood slightly, push the secondary latch up (①) inside of the hood center and lift the hood (②)



3. Battery in the engine compartment

■ Disabling procedure



① Turn the ignition switch off

② Disconnect the negative(-) terminal

③ Disconnect the positive(+) terminal

4. Access to the occupants

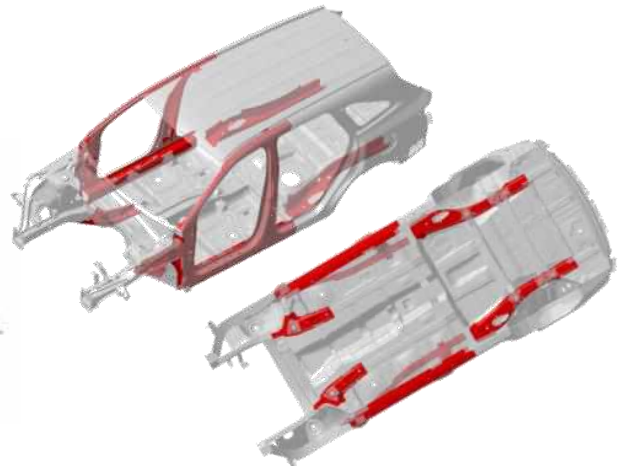
■ Glass

1 : Laminated
2 + 3 : Tempered



■ Vehicle body

Hardened Steel



	ID No.	Version No.	Version date	Page
	KNA-MQ4-RSI-01-202008	01	08/2020	3 of 4

5. Stored energy / liquids / gases / solids

■ Fuel Tank

67ℓ

■ Battery



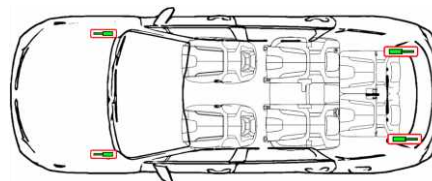
12 V

6. In case of fire

■ Gas Strut

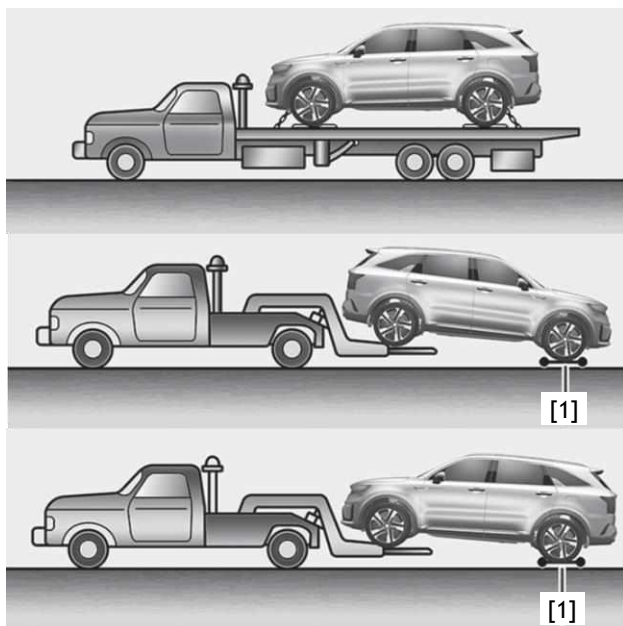


Risk of missile effect of hood and trunk.



8. Towing / transportation / storage

OK :



Not OK :



[1] : Dolly

	ID No.	Version No.	Version date	Page
	KNA-MQ4-RSI-01-202008	01	08/2020	4 of 4